

# DISTRIBUTED BY: GP LIMITED

8/F, Enterprise Square 3, 39 Wang Chiu Road, Kowloon Bay, Hong Kong

Customer Service Representative: General Foam Plastics Corporation

(800) 813-0206 • www.GENFOAM.com

## ABOVE GROUND OVAL QUICK SET® SWIMMING POOL OWNER'S MANUAL



### System Info Label



**WARNING:** DO NOT overfill the pool and / or allow people to lay over or sit on pool wall- DOING SO CAN CAUSE PERMANENT INJURY!

**DRAIN** pool to the proper level after a heavy rain.

**NOTE:** DO NOT attempt to assemble this pool in adverse weather conditions, windy conditions or when the temperature is below 60°F.

**NOTE:** This is a storable pool, which should be disassembled and stored when temperatures are expected to fall below 32°F.

SAFETY INFORMATION	2
CONSUMER AWARENESS BOOKLETS	3
SITE PREPARATION	4
POOL INSTALLATION	4
DISASSEMBLY AND STORAGE	6
PARTS & ACCESSORIES	7
POOL COVER SAFETY	8

### ATTENTION CUSTOMER: STATEMENT OF LIMITED WARRANTY

GP Limited warrants to the original purchaser only, the Quick Set® Pool against defects in material and workmanship for 90-days from the date of purchase. Original Purchaser must retain proof of such purchase in the form of a store sales receipt and must produce such upon request by GP Limited or its customer service representative, General Foam Plastics Corporation at (800) 813-0206.

If the unit is found to have been consumer damaged or abused, it is not covered by the limited warranty. If this is the case, you will be advised of the cost of replacement part(s), or the need to return damaged part(s) for warranty replacement.

This limited warranty is not valid if pool is used for commercial purposes or if the damage is caused by accident, act of God, consumer neglect or abuse, failure to properly follow disassembly and storage procedures, vandalism or improper use of chemicals. This limited warranty will also be voided if pool is not properly installed per instructions. This warranty does not hold GP Limited responsible for cost of installation, labor or transportation related to replacement of defective parts.

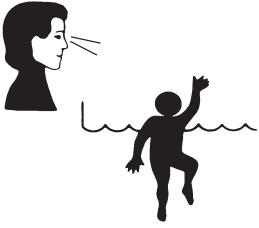
**2010**

084-120373

## 2 Read and Follow All Safety Information and Instructions.

### Keep for Future Reference.

Failure to follow these warnings and instructions can result in serious injury or death to user, especially children.



<b>! DANGER</b>	
<b>PREVENT DROWNING</b> Watch children at all times. Observe all Safety Rules.	<b>NO DIVING! NO JUMPING!</b> Shallow Water - You can be permanently injured.

<b>! WARNING</b>	
<b>DO NOT SIT ON OR LAY OVER POOL WALL</b> You can be permanently injured	<b>AVOID ENTRAPMENT</b> Stay away from suction fittings - You may drown

1. Children, especially children younger than five years, are at high risk of drowning. Drowning occurs silently and quickly and can occur in as little as 2 in. (5 cm) of water.
2. Keep children in your direct sight, stay close, and actively supervise them when they are in or near this pool and when you are filling and emptying this pool.
3. When searching for a missing child, check the pool first, even if the child is thought to be in the house.
4. Very Important: Swimming pool barriers, which restrict access to the pool by small children, may be required by law. A barrier is necessary to provide protection against potential drowning and near drowning. Barriers are not a substitute for constant supervision of children. Check state or local laws and codes before setting up pool.
5. The use of artificial pool lighting is at the discretion of the pool owner. Lighting, when installed, should be in accordance with Article 680 of the National Electrical Code (NEC) or its latest approved edition and in consultation with a licensed electrical professional.
6. During nighttime pool use, artificial lighting shall be used to illuminate all safety signs, ladders, steps, deck surfaces and walks.
7. The floor of the pool shall be visible at all times from the outside perimeter of the pool.
8. Local building codes may require obtaining a building or electrical permit. Installer shall follow regulations on setback, barriers, devices and other conditions.
9. Post a list of emergency telephone numbers such as the nearest available police, fire, ambulance and/or rescue unit. These numbers are to be kept near the telephone, which is closest to the pool.
10. Toys, chairs, tables or similar objects that a young child could climb shall be at least four feet (4') [121.92 cm] from the pool. The pump filter system shall be positioned so as to prevent it being used as a means of access to the pool by young children. Do not leave toys inside pool when finished using, since toys and similar items might attract a child to the pool.
11. Basic lifesaving equipment, including one of the following should be on hand at all times:
  - \* A light, strong, rigid pole (shepherds crook) not less than twelve feet (12') [365.76 cm] long.
  - \* A minimum one-fourth inch (1/4") [6.35 mm] diameter rope as long as one and one half (1-1/2) times the maximum width of the pool or fifty feet (50') [15.24 meters], whichever is less, which has been firmly attached to a Coast Guard-approved ring buoy having an outside diameter of approximately fifteen inches (15") [38.1 cm], or similarly approved flotation device.
12. **Entrapment Avoidance:** There shall be no protrusions or other obstruction in the swimming area, which may cause entrapment or entanglement of the user. If a suction outlet cover is missing or broken, do not use the pool. Suction can cause body part entrapment, hair and jewelry entanglement, evisceration, or drowning. Repair or replace the suction outlet cover before allowing the pool to be used.

13. The pool is subject to wear and deterioration. If not maintained properly, certain types of excessive or accelerated deterioration can lead to failure of the pool structure that might release large quantities of water that could cause bodily harm and property damage.
14. Above ground / onground residential swimming pools are for swimming and wading only. No diving boards, slides or other equipment are to be added to an above ground / onground pool that in any way indicates that an above ground / onground pool may be used or intended for diving or sliding purposes.
15. Never allow horseplay, diving or jumping into or around the pool. Serious injury, paralysis or death, could result when this rule is disregarded. DO NOT ALLOW anyone to swim alone without supervision.
16. Safety signs shall comply with requirements of ANSI-Z535 and to use signal wording.
17. The pool is to be assembled by an adult; care should be taken in the unpacking and assembly of the pool, this pool may contain accessible potentially hazardous sharp edges or sharp points that are a necessary part of the function of the pool.
18. Become certified in cardiopulmonary resuscitation (CPR). In the event of an emergency, immediate use of CPR can make a lifesaving difference.
19. Keep all electrical lines, radios, speakers and other electrical appliances away from the pool.
20. Do not place pool near or under overhead electrical lines.

**NOTICE:** CUSTOMERS THAT PURCHASE POOLS MAY BE REQUIRED BY LOCAL OR STATE LAW TO INCUR ADDITIONAL EXPENSES WHEN INSTALLING A POOL, IN ORDER TO COMPLY WITH STATE OR LOCAL LAWS REGARDING FENCING AND OTHER SAFETY REQUIREMENTS. CUSTOMERS SHOULD CONTACT THEIR LOCAL BUILDING CODE ENFORCEMENT OFFICE FOR FURTHER DETAILS.

## CONSUMER AWARENESS BOOKLETS

Contact: U.S. Consumer Product Safety Commission at [www.CPSC.gov/cpsc/pub/pubs/pool/pdf](http://www.CPSC.gov/cpsc/pub/pubs/pool/pdf), Pub. #362 “Safety Barrier Guidelines for Home Pools”.

Contact: ASSOCIATION OF POOL & SPA PROFESSIONALS ( formerly NSPI) at - [www.apsp.org/164/index.aspx](http://www.apsp.org/164/index.aspx)

These titles are now available: “The Sensible Way To Enjoy Your Aboveground / Inground Swimming Pool”, “Children Aren’t Waterproof”, “Pool and Spa Emergency Procedures For Infants’, Layers of Protection”, and the “ANSI / NSPI-8 Model Barrier Code for Residential Swimming Pools, Spas, and Hot Tubs”.

### **DANGER:**

Competent supervision and knowledge of the safety requirements  
is the only way to prevent drowning or permanent injury  
in the use of this product!

Never leave young children unattended.

### **DANGER: POOL SET-UP**

Do not attempt to assemble this pool in adverse weather conditions, such  
as in high winds, strong gusts or when the temperature is below 60°F.

# 4 OVAL RING POOL SETUP INSTRUCTION SHEET

## SITE PREPARATION

### **WARNING - VERY IMPORTANT! SITE MUST BE LEVEL, STABLE, COMPACTED SOIL.**

- The pool must be assembled on a smooth and level site of firm soil that is free of stones, gravel, sticks, black-top or other oil base compounds. Do not install pool on a wooden deck or any type of wooden surface. You can not use sand and/or uncompacted soil to provide a level surface for this pool; it will only wash out.
- **FAILURE TO FOLLOW THE INSTRUCTIONS BELOW WILL CAUSE POOL TO COLLAPSE AND WILL VOID THE WARRANTY!**

1. Select a level area, and completely remove all debris, twigs, stones, etc. **DO NOT** select an area under overhead electrical lines, trees or within 15 feet of a house, building, etc. The area should also be at least 10 feet away, and no more than 21 feet away, from a 110 volt AC outlet, protected by a Ground Fault Circuit Interrupter.
2. Contact your local utilities, checking that no underground cables, telephone lines, gas lines, etc. run beneath the area you have selected.

## POOL INSTALLATION

**WARNING:** DO NOT overfill the pool and / or allow people to lay over or sit on pool wall - doing so can cause permanent injury. **DRAIN** the pool to the proper level after a heavy rain.

**TIP:** It will be much easier to install your pool if you unfold it and let it lay in direct sunlight for about 2 hours prior to installation. This will help to insure a wrinkle-free fit because the pool material will be more pliable allowing it to form into shape during installation.

1. Carefully unfold the Quick Set® pool and inspect seams for manufacturing defects. With the inflatable ring on the top side, lay out the pool in the area selected, making sure the pool bottom is both flat and oval-shaped. Position the intake / outlet fitting holes in pool wall so they are 10 to 21 feet from the electrical outlet you plan to use for the pool pump. Pull out the four rectangular flaps of wall material from the base of the pool, used for the frame (two on each side).
2. Locate the four metal pipe (Horizontal Beams) for the left and right support frame sections of the pool. Also locate the four U-Shape Pipe frames. Each end of the U-Shape pipe will have a Cap to be installed. Locate the 8 Pipe Caps and install, push the buttons in as you insert the Cap onto the pipe end. Look through the holes in the Cap as you install it and slightly rotate the Cap until the buttons align with the holes and pop up, locking the Cap onto the pipes end. FIG. 1 Now place two of the U-Shape pipes on each side of pool near the rectangular flaps.
3. Now, take two Horizontal Beams (different parts), insert the O-Shape Spring Pin into the smaller swaged end of the one Horizontal Beam FIG. 2 then slide them together, depress the button as you insert them together and slightly rotate them until the button aligns with the hole and pops up. Now install the plastic Beam Plugs in both ends lightly tapping them into place. Now slide this Horizontal Beam assembly through the sleeve stitched along the long sides of the pool, under the ring on both sides. FIG. 2. Make certain that the holes for the U-Shape Pipe frame are facing out.

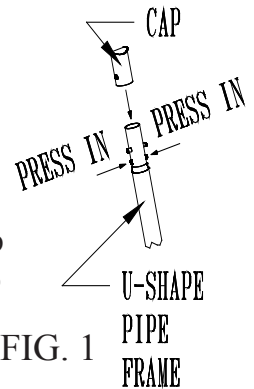


FIG. 1

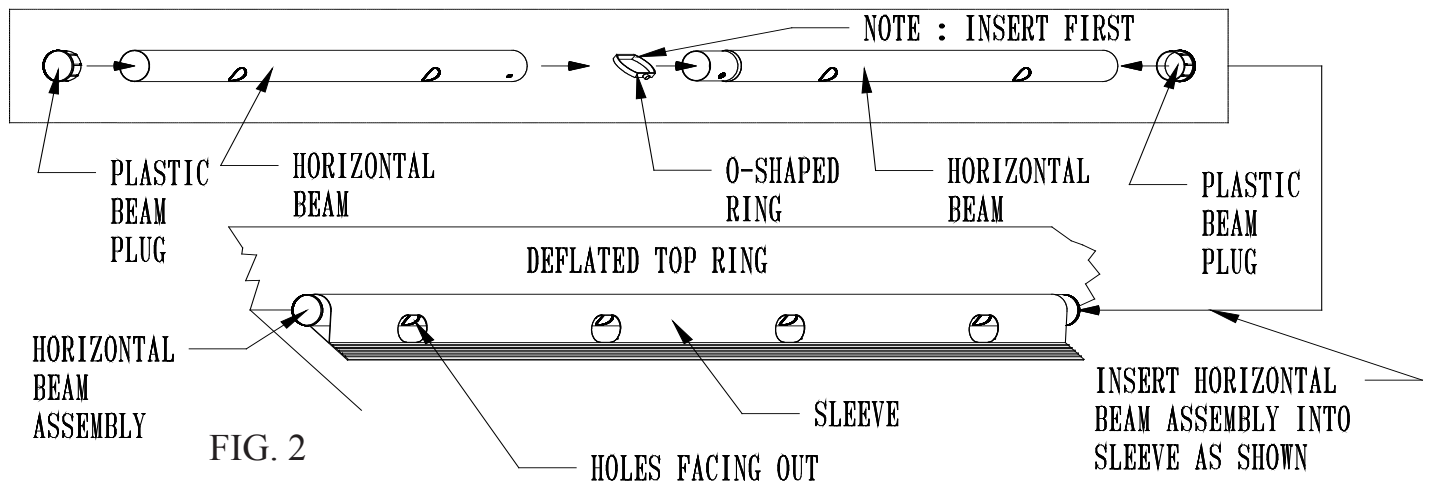
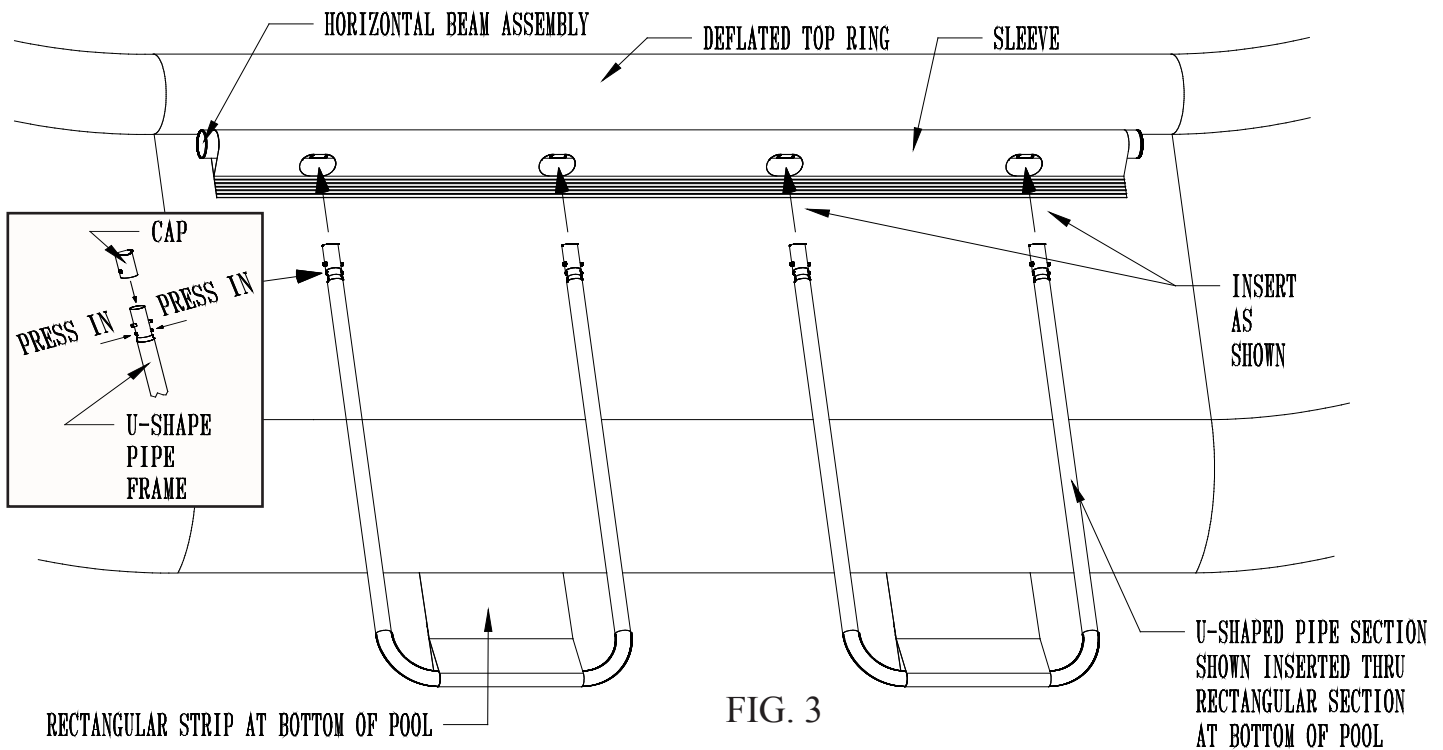


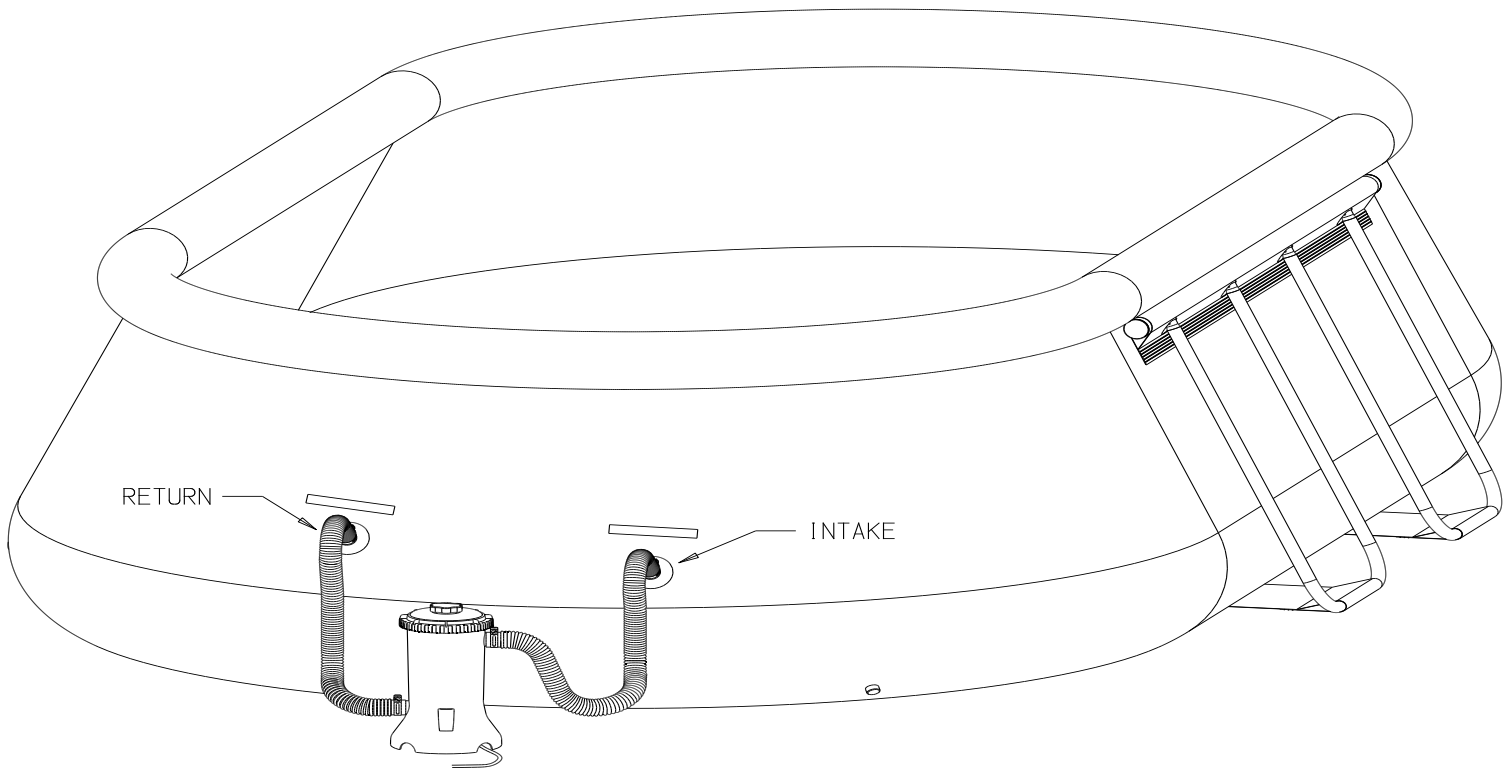
FIG. 2

4. Now insert the two U-Shape pipe sections through the end of the two rectangular strips at the bottom of the pool FIG. 3. Now, insert the capped ends of the U-Shape pipe into the holes in the Horizontal Beam assembly FIG. 3 depress the buttons pushing the Cap entirely into the horizontal beam until it stops.
5. Make sure both U-Shape pipes are inserted fully and check that all connected sections are still securely fastened. Repeat steps for the frame on the opposite side of the pool.



6. Inflate the top ring. Squeeze the base of the valve stem to open an internal check valve while inflating.
7. Following the instructions under "Power Filter Installation" in the "Swimming Pool Filter System" owner's manual, install Pool Wall Fittings (16-21) as described in Steps "A" - "C". Plug both Pool Wall Fittings (16) from the inside of the pool using two Wall Fitting Plugs (20). Make sure the drain fitting is plugged securely and the cap is in place. Start filling the pool with water. After about 1-inch of water is on the bottom, stop filling and smooth wrinkles out of the bottom of the pool. Pull the outer wall out from under the top ring, all around the bottom of the pool, so that it fills evenly.
8. NOTE: IF MORE THAN 1-2 INCHES OF WATER COLLECTS ON ANY ONE SIDE BEFORE THE POOL STARTS FILLING IN THE CENTER, THE POOL IS NOT LEVEL ENOUGH, AND MUST BE CORRECTED, SEE "SITE PREPARATION", PAGE 4.  
NOTE: THE WEIGHT OF THE WATER WILL PREVENT ANY ADJUSTMENT AFTER THIS POINT.
9. Now, as you continue filling, the inflated ring will rise as the water deepens. Max. Water Level is the bottom seam of the inflatable ring, this information is printed on the ring. Once this is done, refer back to the "Swimming Pool Filter System" owner's manual, and continue through the rest of the installation.

**IF YOUR POOL INCLUDED A  
FILTER/PUMP SYSTEM, REFER  
TO FILTER SYSTEM OWNER'S  
MANUAL SECTION  
POWER FILTER  
IN THE SWIMMING  
POOL FILTER SYSTEM  
OWNER'S MANUAL, ON PAGE 4,  
POWER FILTER INSTALLATION,  
INSTALL POWER FILTER AND THE  
POOL WALL FITTINGS AS  
DESCRIBED**



## DISASSEMBLY AND STORAGE

1. **GENERAL INFORMATION:** Pool must be stored if temperatures are expected to fall below 32°F.
  - A. All parts should be cleaned with a mild soap and lukewarm water only - DO NOT use detergent or hot water.
  - B. Make sure all parts are dry before storing to help prevent mildew from forming.
  - C. Store all parts in a dry heated area where temperatures do not go below 32° F or above 125° F.
  - D. Failure to follow the proper storage instructions could cause damage to pool parts and void warranty.
  - E. YOU MUST FOLLOW THE ASSEMBLY INSTRUCTIONS TO REASSEMBLE YOUR POOL NEXT SEASON. Pool site must be cleared and leveled again before setting up your pool.
2. **QUICK-SET® POOL:**
  - A. To drain the pool, locate the drain plug on the outside of the pool wall and remove the drain cap. A standard garden hose will thread onto the drain fitting. Extend the hose to the area where the water is to be drained. When you have placed the garden hose where desired, the drain plug on the inside of the pool can be opened.
  - B. Once you have drained as much water as possible out of the pool, using the hose connected to the drain fitting, open the air valve and deflate the top ring. Then, carefully push the sides of the pool wall down to allow remaining water to run out.
  - C. Remove any remaining water as you wash and completely dry pool using a soft cotton cloth. Push the drain plug into the fitting and replace the cap.
  - D. Frame Pools: If your pool has metal frame work, disassemble those pieces by depressing the plastic buttons sliding those pieces apart or by removing the plastic pins holding them together again sliding those pieces apart, clean them and wipe them dry. If in doubt of proper disassembly refer to the pools set-up sheet and reverse those steps. Place them all together in a safe storage place for reassembly next season. Order replacement parts for any damaged, broken, or worn parts
  - E. Solar blankets, leaf covers, ladders, etc., should be cleaned and dried before storing

<b>OVAL POOL (P22)</b>		CALL PARTS DEPT. FOR REPLACEMENT PARTS or see ORDER SHEET for ordering instructions and shipping information											
		<b>HORIZONTAL BEAM</b>				<b>HORIZONTAL BEAM PLUG</b>				<b>U-SHAPE PIPE CAP</b>			
POOL MODEL	POOL SIZE	PART NO.	QTY	WGT (LBS)	COST EA.	PART NO.	QTY	WGT (LBS)	COST EA.	PART NO.	QTY	WGT (LBS)	COST EA.
P22-15942	15' X 9' X 42"	090-380026	2	4	3.00	090-380036	4	1/4	1.00	090-380037	8	1/4	.50
		090-380027	2	4	3.00								
P22-201242	20' X 12' X 42"	090-380028	2	4	3.00	090-380036	4	1/4	1.00	090-380037	8	1/4	.50
		090-380029	2	4	3.00								
P22-201248	20' X 12' X 48"	090-380028	2	4	3.00	090-380036	4	1/4	1.00	090-380037	8	1/4	.50
		090-380029	2	4	3.00								
P22-201442	20' X 14' X 42"	090-380026	2	4	3.00	090-380036	4	1/4	1.00	090-380037	8	1/4	.50
		090-380027	2	4	3.00								
		<b>U-SHAPE PIPE</b>				<b>O-SHAPE SPRING PIN</b>				<b>V-SHAPE SPRING PIN(w/ 1 extra)</b>			
POOL MODEL	POOL SIZE	PART NO.	QTY	WGT (LBS)	COST EA.	PART NO.	QTY	WGT (LBS)	COST EA.	PART NO.	QTY	WGT (LBS)	COST EA.
P22-15942	15' X 9' X 42"	090-380038	4	4	7.00	090-380040	2	1/4	.50	090-380041	9	1/4	.50
P22-201242	20' X 12' X 42"	090-380038	4	4	7.00	090-380040	2	1/4	.50	090-380041	9	1/4	.50
P22-201248	20' X 12' X 48"	090-380039	4	4	7.00	090-380040	2	1/4	.50	090-380041	9	1/4	.50
P22-201442	20' X 14' X 42"	090-380038	4	4	7.00	090-380040	2	1/4	.50	090-380041	9	1/4	.50

### REPLACEMENT PARTS

KEY	DESCRIPTION	ID NUMBER	QTY	LBS	COST
	<b><u>QUICK-SET POOL</u></b>				
30	QUICK-SET POOL	CALL PARTS DEPT. FOR REPLACEMENT			
	<b><u>GFPACCESSORIES</u></b>				
*	COMPLETE LADDER w/BARRIER (36" POOL)	097-020001	1	10	35.00
*	COMPLETE LADDER w/BARRIER (42" POOL)	097-020002	1	14	45.00
*	COMPLETE LADDER w/BARRIER (48" POOL)	097-020003	1	16	50.00
*	DUAL MAINTENANCE KIT (LEAF NET & VACUUM)	096-050024	1	3	15.00
80	LEAF COVER (NOT A SAFETY COVER)	CALL PARTS DEPT. FOR REPLACEMENT			
81	SOLAR BLANKET (NOT A SAFETY COVER)	CALL PARTS DEPT. FOR REPLACEMENT			
82	SOLAR COVER (NOT A SAFETY COVER)	CALL PARTS DEPT. FOR REPLACEMENT			


Should you encounter any problems, contact the Customer Service Representative/Parts Department at (800) 813-0206 from 8 AM to 5 PM Mon. thru Fri. EST. Extended operating days and hours during peak season requirements.

# POOL COVER SAFETY

IF YOU ARE GOING TO USE A POOL COVER, SOLAR COVER OR SOLAR BLANKET, PLEASE READ THIS INFORMATION.

## POOL COVER WARNING SOLAR COVER WARNING

## SOLAR BLANKET WARNING



## WARNING

**AVOID DROWNING RISK**  
 STAY OFF COVER - WILL NOT SUPPORT WEIGHT.  
 KEEP CHILDREN AWAY. CHILDREN OR OBJECTS CAN NOT BE SEEN UNDER COVER.  
 REMOVE STANDING WATER - CHILD CAN DROWN ON TOP OF COVER.  
 REMOVE COVER COMPLETELY BEFORE ENTRY OF BATHERS - ENTRAPMENT POSSIBLE.  
 NON-SECURED OR IMPROPERLY SECURED COVERS ARE A HAZARD.  
 FAILURE TO FOLLOW ALL INSTRUCTIONS MAY RESULT IN INJURY OR DROWNING.  
 THIS IS NOT A SAFETY COVER.  
 TYPE OC COVER CLASSIFICATION.  
 INSTALL COVER WITH LABELS FACING UP.  
 USE DRAWSTRING TO SECURE COVER TO POOL.  
 THIS COVER MEETS REQUIREMENTS DESCRIBED IN SPECIFICATION F-1346 (ASTM).



## WARNING

**AVOID DROWNING RISK**  
 STAY OFF COVER - WILL NOT SUPPORT WEIGHT.  
 KEEP CHILDREN AWAY. CHILDREN OR OBJECTS CAN NOT BE SEEN UNDER COVER.  
 REMOVE STANDING WATER - CHILD CAN DROWN ON TOP OF COVER.  
 REMOVE COVER COMPLETELY BEFORE ENTRY OF BATHERS - ENTRAPMENT POSSIBLE.  
 NON-SECURED OR IMPROPERLY SECURED COVERS ARE A HAZARD.  
 FAILURE TO FOLLOW ALL INSTRUCTIONS MAY RESULT IN INJURY OR DROWNING.  
 THIS IS NOT A SAFETY COVER.  
 TYPE OC COVER CLASSIFICATION.  
 INSTALL COVER WITH LABELS FACING UP.  
 LAY COVER ON TOP SURFACE OF WATER.  
 THIS COVER MEETS REQUIREMENTS DESCRIBED IN SPECIFICATION F-1346 (ASTM).

## VERY IMPORTANT

DO NOT USE A POOL COVER, SOLAR COVER OR SOLAR BLANKET ON THIS POOL IF IT DOES NOT HAVE THIS TYPE OF WARNING LABEL ON THE COVER.

## DANGER:

Competent supervision and knowledge of the safety requirements is the only way to prevent drowning or permanent injury in the use of this product!

Never leave young children unattended.